



**DESCRIPTION:**

- Single side lever, single hole faucet
- Innovative geometric design for a unique look
- Brass body with chrome finish
- High quality, drip-free ceramic cartridge
- Corrosion & discolouration resistant
- Complies with CSA & IAPMO standards

**PRESSURE:**

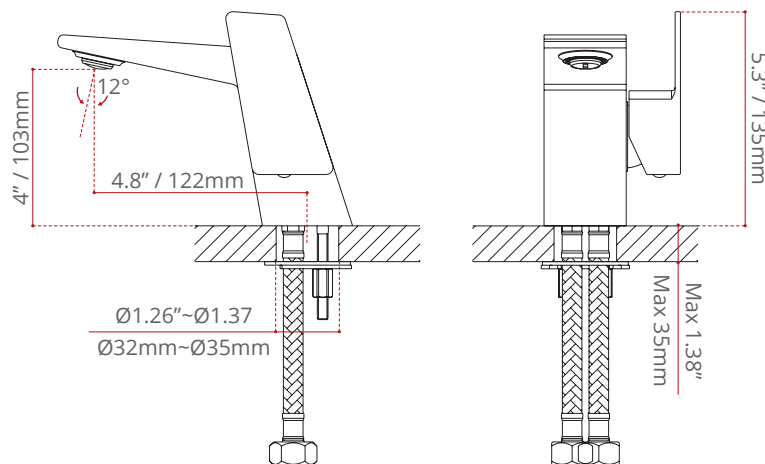
**60 PSI**

**FLOW RATE:**

**4.5 LPM**

**SHIPPING INFORMATION:**

- **Length:** 9.45" / 240mm
- **Width:** 7.1" / 180mm
- **Height:** 6" / 150mm
- **Net Weight:** 1.18 kg / 2.6 lbs.
- **Gross Weight:** 1.68 kg / 3.7 lbs.



**DISCLAIMER:**

Measurements may vary  $\pm \frac{1}{4}$ "  
(Diagram Not to scale)